

GENERAL NOTES

1. THIS STORM PANEL SYSTEM HAS BEEN TESTED AND EVALUATED AS A LARGE MISSILE IMPACT PROTECTIVE SYSTEM IN ACCORDANCE WITH THE 2001 FLORIDA BUILDING CODE AND THE 2000 INTERNATIONAL BUILDING CODE, INCLUDING TAS 201, TAS 202, AND TAS 203. NOT FOR USE IN HVHZ.
2. NO 33-1/3% INCREASE IN ALLOWABLE STRESS HAS BEEN USED IN THE DESIGN OF THIS PRODUCT.
3. POSITIVE AND NEGATIVE DESIGN PRESSURES TO BE USED WITH THESE DRAWINGS SHALL BE DETERMINED BY OTHERS FOR SPECIFIC JOBS IN ACCORDANCE WITH THE DIRECTIONALITY FACTOR $KD_{\pm} 0.85$ IS ALLOWED.
4. THE SHUTTER SYSTEM DETAILED HERE IS GENERIC AND DOES NOT PROVIDE INFORMATION FOR A SPECIFIC SITE. IF SITE CONDITIONS DEVIATE FROM THE CONDITIONS DETAILED HEREIN, A LICENSED ENGINEER OR REGISTERED ARCHITECT SHALL PREPARE SITE SPECIFIC DOCUMENTS TO BE USED IN CONJUNCTION WITH THIS DOCUMENT.
5. PERMIT HOLDERS SHALL VERIFY THE ADEQUACY OF THE EXISTING STRUCTURE TO WITHSTAND NEW SUPERIMPOSED LOADS.
6. PANELS MAY BE MOUNTED HORIZONTALLY WHERE APPLICABLE (IE WITH ANCHORS ONLY ON BOTH SIDES OF OPENING.
7. ALL BOLTS & WASHERS SHALL BE ZINC COATED, GALVANIZED, OR STAINLESS STEEL, WITH A MINIMUM TENSILE STRENGTH OF 60 KGL.
8. ALL ACCEPTANCE CRITERIA HAVE BEEN MET FOR THIS SHUTTER AS A NON-POROUS SYSTEM AS DEFINED IN ASTM E1996. IN KEEPING WITH THIS STANDARD, NO MINIMUM SEPARATION FROM THE GLAZING BEING PROTECTED IS REQUIRED, AND BREAKING OF THIS GLAZING DOES NOT COMPROMISE THE BUILDING ENVELOPE.
9. ALL PENETRATIONS IN STRUCTURE TO BE TREATED WITH WATERPROOF SEALANT.

MAXIMUM DESIGN PRESSURE: ± 60 PSF

CLEANING

IF CLEANING BECOMES NECESSARY, USE A MILD HOUSEHOLD DETERGENT AND A GARDEN HOSE.

*NOTE: PRODUCTS LEFT EXPOSED TO DIRECT SUNLIGHT FOR AN EXTENDED PERIOD OF TIME, MAY EXPERIENCE A DECREASED LIFE EXPECTANCY. THIS PRODUCT IS BEST USED IF EMPLOYED DURING STORM WATCHES AND WARNINGS.

Table of Contents

GENERAL NOTES, CLEANING NOTES	1
CONSTRUCTION DETAILS, GENERIC ELEVATION	2
SCREEN APPLICATION 1, 2, & 3	3
SCREEN APPLICATION DETAILS	4
EYE BOLT APPLICATION DETAILS	5

SHEET: 1 OF 5

ME
ENGINEERS, INC.

5656 Lawton Drive JOHN KAMPMANN, PE
Sarasota, Florida 34233 REG. #. 47516
(941) 922-3854 DATE: 10/30/03

The Storm Catcher Corp.
Tropical Storm Screen
Wind Abatement System

11850 Plantation Road
FT. Myers, FL 33912
1-888-962-7283

DRAWN BY: KR
CHKD. BY: BR

DATE: 8/05/03

SCALE: N/A

CONSTRUCTION DETAILS

PRODUCT

HURRICANE WIND ABATEMENT CANVAS SYSTEM

DESCRIPTION OF UNIT

MODEL DESIGNATION: STYLE 20458
 OVERALL SIZE: 194" WIDE X 108" HEIGHT
 (TEST SAMPLE ROTATED 90°)
 CONFIGURATION: D
 NO. AND SIZE OF VENTS: (1)

FABRIC MATERIAL

MANUFACTURER: SYNTHETIC INDUSTRIES
 CONSTRUCTION: ASTM D3775 55 X 44 THREADS PI
 YARN SIZE & TYPE: ASTM D1907 WARP 12 MIL MONOFIL PP MILS
 FIL 12 MIL MONOFIL PP MILS
 WEAVE: VISUAL 3/4 BASKET
 WEIGHT: ASTM D5261 8.0 OZ/SQ. YD.
 GRAB TENSILE: ASTM D4632 WARP 460 LB.
 FIL 360 LB.

SEWING

0.21" WIDE @ 7/16" ZIGZAG PERIODS OF 0.032" DIA. NYLON STRING.

EDGES

3-1/4" QUAD FOLDED LOCATED AT THE WHOLE PERIMETER OF THE SAMPLE(S). THE EDGE WAS SEWN WITH FOUR CONTINUOUS SEWINGS @ 0.92" O.C. THE OUTERMOST ROW WAS DOUBLED.

SEATBELT MATERIAL

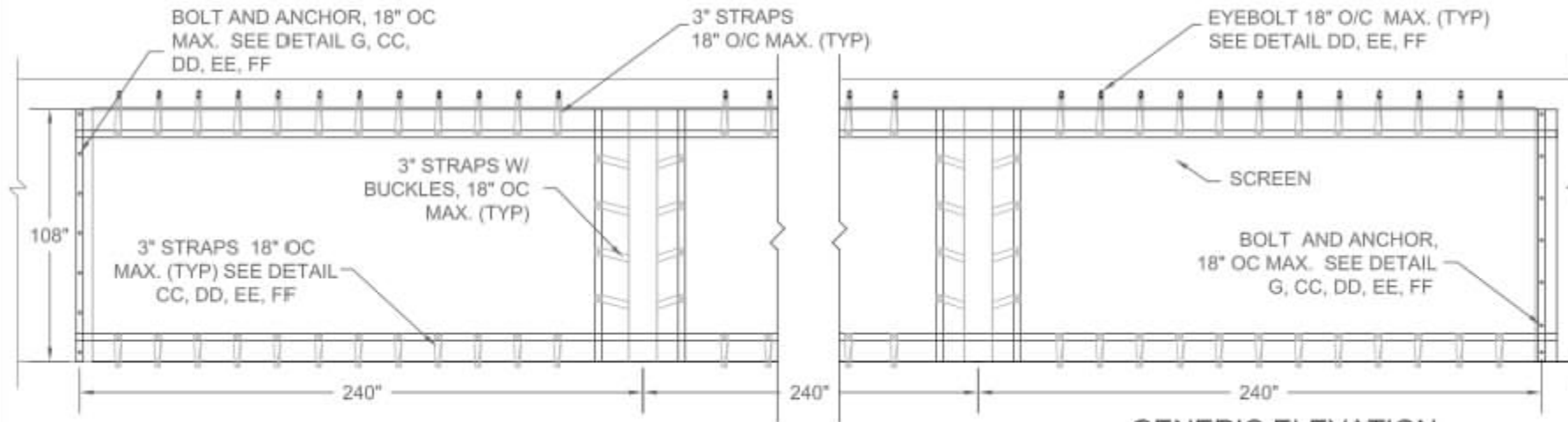
THE NYLON WEBBING CONSISTED OF A SEATBELT 2" WIDE X 0.067" THICK, BLACK, TYPE 24 MIL-W-4088, CLASS 1A, 4 BAR, 5500 LB.

LOOP

24" LONG (LEFT SIDE) WAS SPREAD 5" OC ON THE MATERIAL AND LOCATED 15" OC + 2". THE SEATBELTS WERE EMBEDDED 3" INTO THE EDGES AND SEWN WITH A 2" X 3" BOW SHAPED TRIPLED.

STRAPS

16" LONG LOOP AND 34" STRAIGHT (RIGHT SIDE). LOOP WAS SPREAD 1-1/2" OC ON THE MATERIAL AND STRAIGHT BELT LOCATED @ 18" OC ± 2". THE BELTS WERE EMBEDDED 3" INTO THE EDGES AND SEWN WITH TRIPLED SEWING IN A 2" X 3" BOW SHAPE.



GENERIC ELEVATION

SCALE: 1/4"=1'

SHEET: 2 OF 5

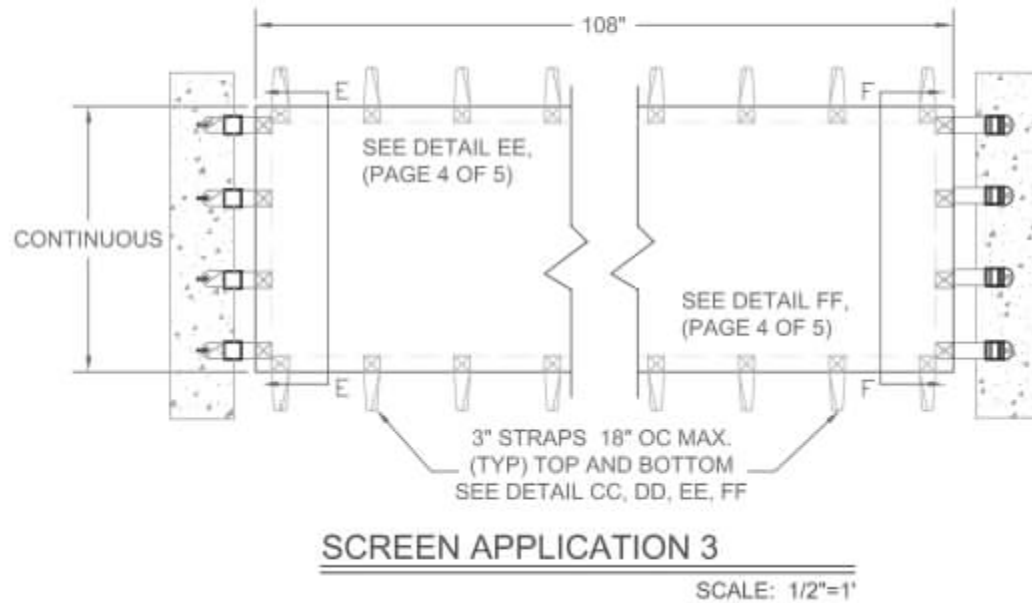
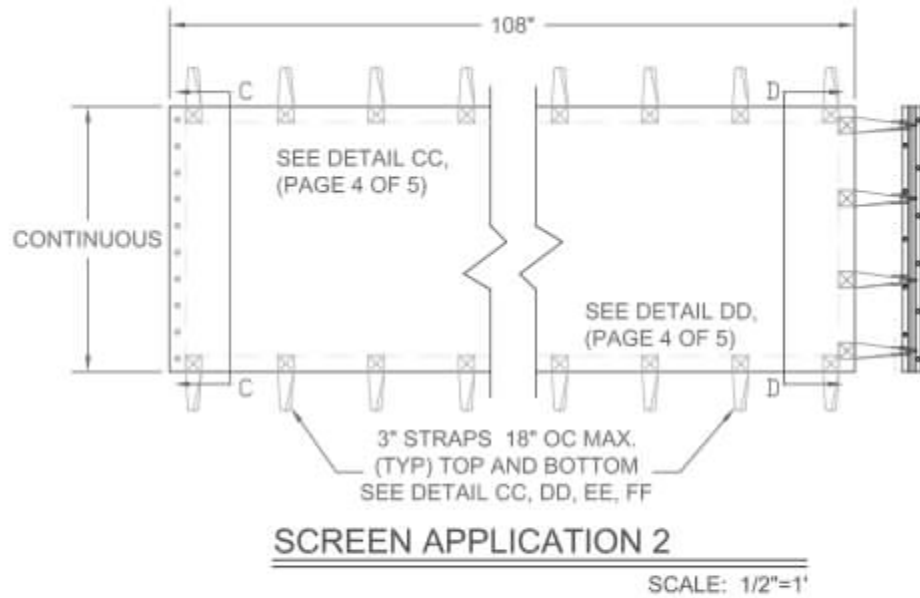
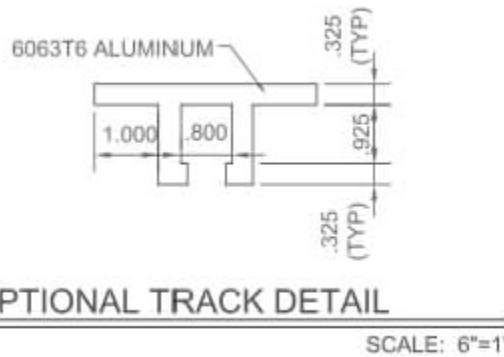
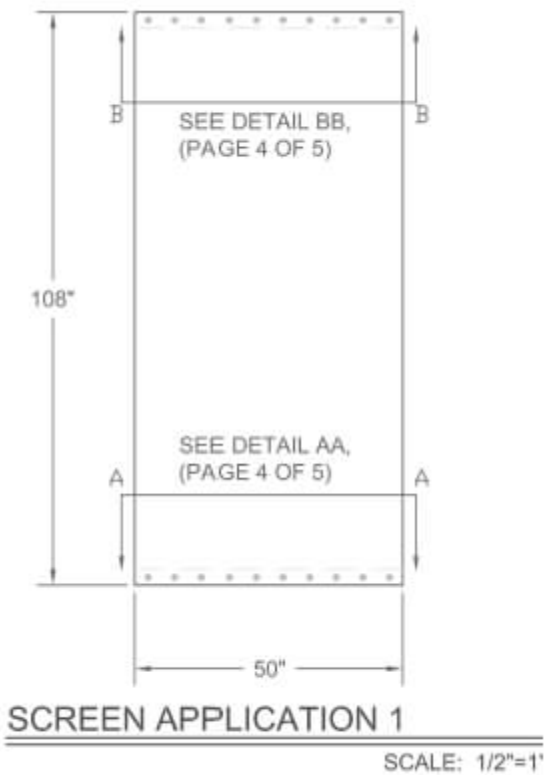
MEAE
 ENGINEERS, INC.
 5656 Lawton Drive JOHN KAMPFMAN, PE
 Sarasota, Florida 34231 REG. #: 47516
 (941) 922-3854 DATE: 10/30/03

The Storm Catcher Corp.
 Tropical Storm Screen
 Wind Abatement System
 11850 Plantation Road
 Ft. Myers, FL 33912
 1-888-962-7283

DRAWN BY: KR
 CHKD. BY: BR

DATE: 8/05/03

SCALE: Varies



SHEET: 3 OF 5

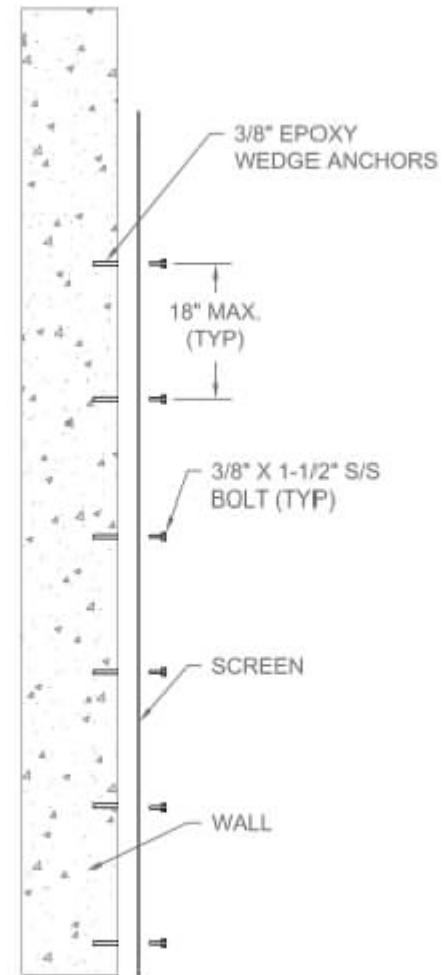
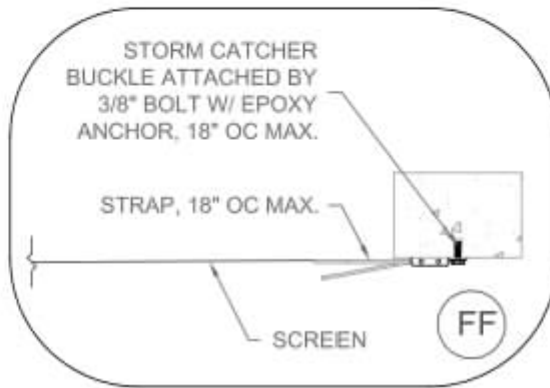
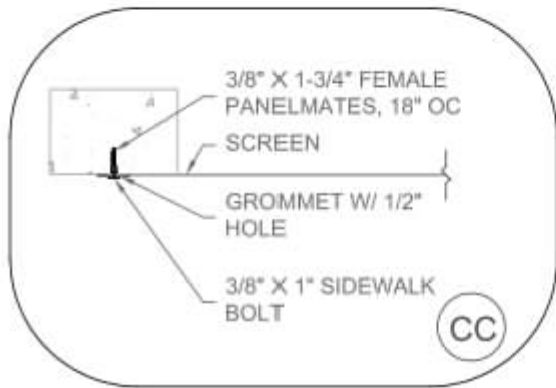
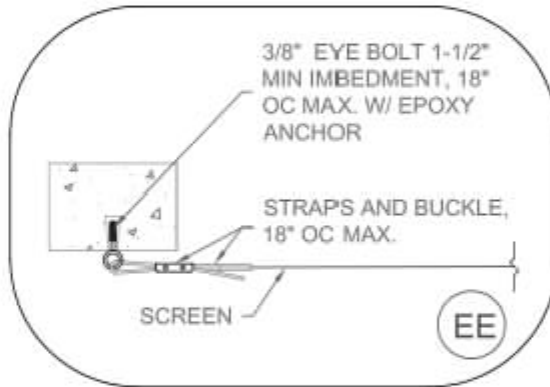
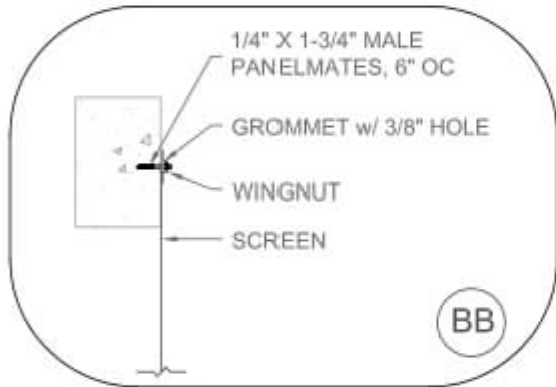
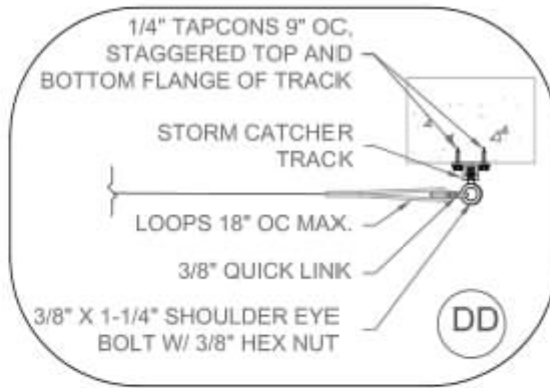
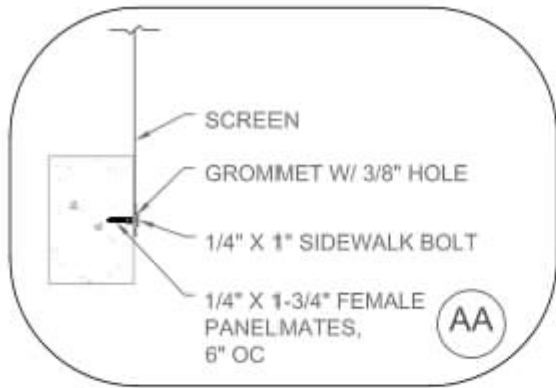
MEA
ENGINEERS, INC.
5656 Lawton Drive JOHN KAMPFANN, PE
Sarasota, Florida 34231 REG. # 47516
(941) 922-3854 DATE: 10/30/03

The Storm Catcher Corp.
Tropical Storm Screen
Wind Abatement System
11850 Plantation Road
Ft. Myers, FL 33912
1-888-962-7283

DRAWN BY: KR
CHKD. BY: BR

DATE: 8/05/03

SCALE: Varies



DETAIL G
Scale: 3/4"=1'



5656 Lawton Drive JOHN KAMPMANN, PE
Sarasota, Florida 34233 REG. #: 475316
(941) 922-3854 DATE: 10/30/03

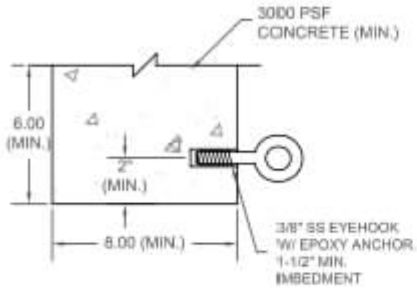
The Storm Catcher Corp.
Tropical Storm Screen
Wind Abatement System
11850 Plantation Road
FT. Myers, FL 33912
1-888-962-7283

DRAWN BY: HR
CHKD. BY: BR

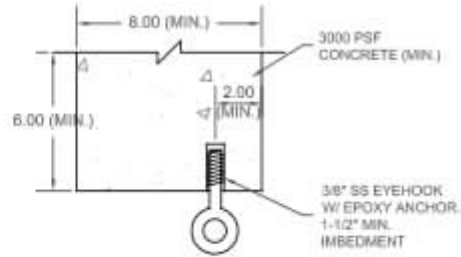
DATE: 8/05/03

SCALE: Varies

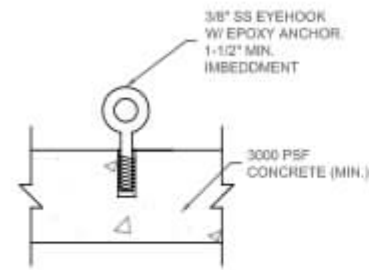
CONCRETE APPLICATION



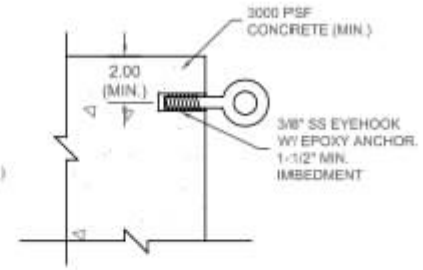
FACE OF HEADER SHEER APP. (TYP.)



BOTTOM OF HEADER PULLOUT APP. (TYP.)

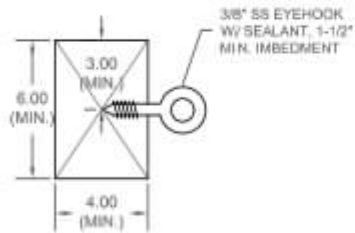


FLOOR APP. (TYP.)

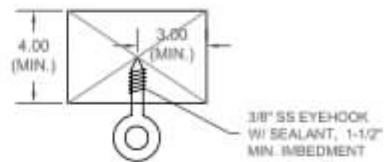


BOTTOM FACE SHEER APP. (TYP.)

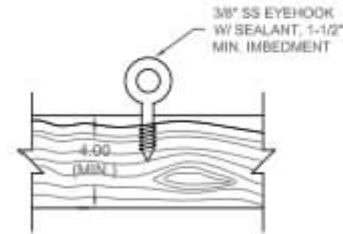
WOOD APPLICATION



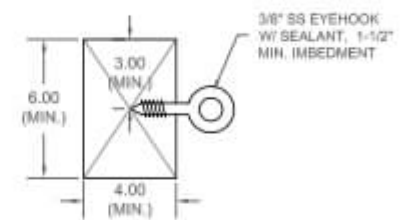
FACE OF HEADER SHEER APP. (TYP.)



BOTTOM OF HEADER PULLOUT APP. (TYP.)



FLOOR APP. (TYP.)



BOTTOM FACE SHEER APP. (TYP.)

SHEET: 5 OF 5



5656 Lawton Drive JOHN KAMPMANN, PE
Sarasota, Florida 34233 REG. # 47516
(941) 922-3854 DATE: 10/30/03

The Storm Catcher Corp.
Tropical Storm Screen
Wind Abatement System
11850 Plantation Road
FT. Myers, FL 33912
1-888-962-7283

DRAWN BY: CHKD. BY:
KR BR

DATE: 8/05/03

SCALE: NTS