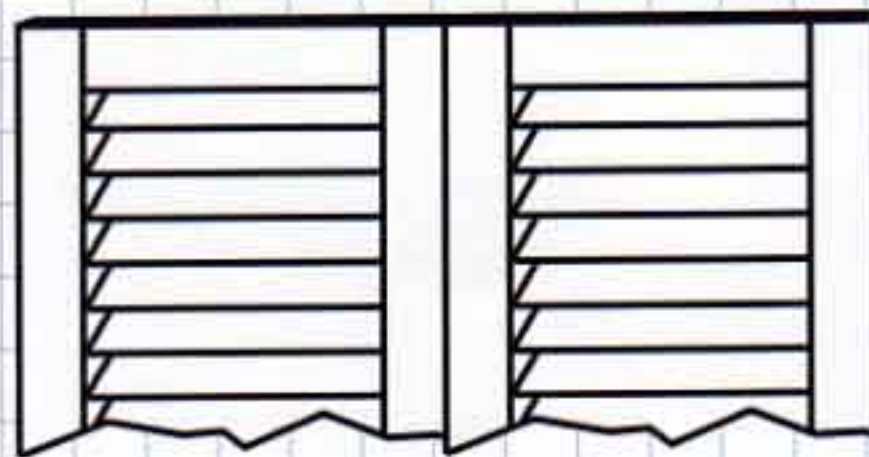


# General Guidelines for Installation Traditional Shutters

To deflect rain away from the structure, Louvered shutters should be installed so the louvers face **AWAY** from the structure when shutters are closed. (see diagram above)



Shutters in closed position

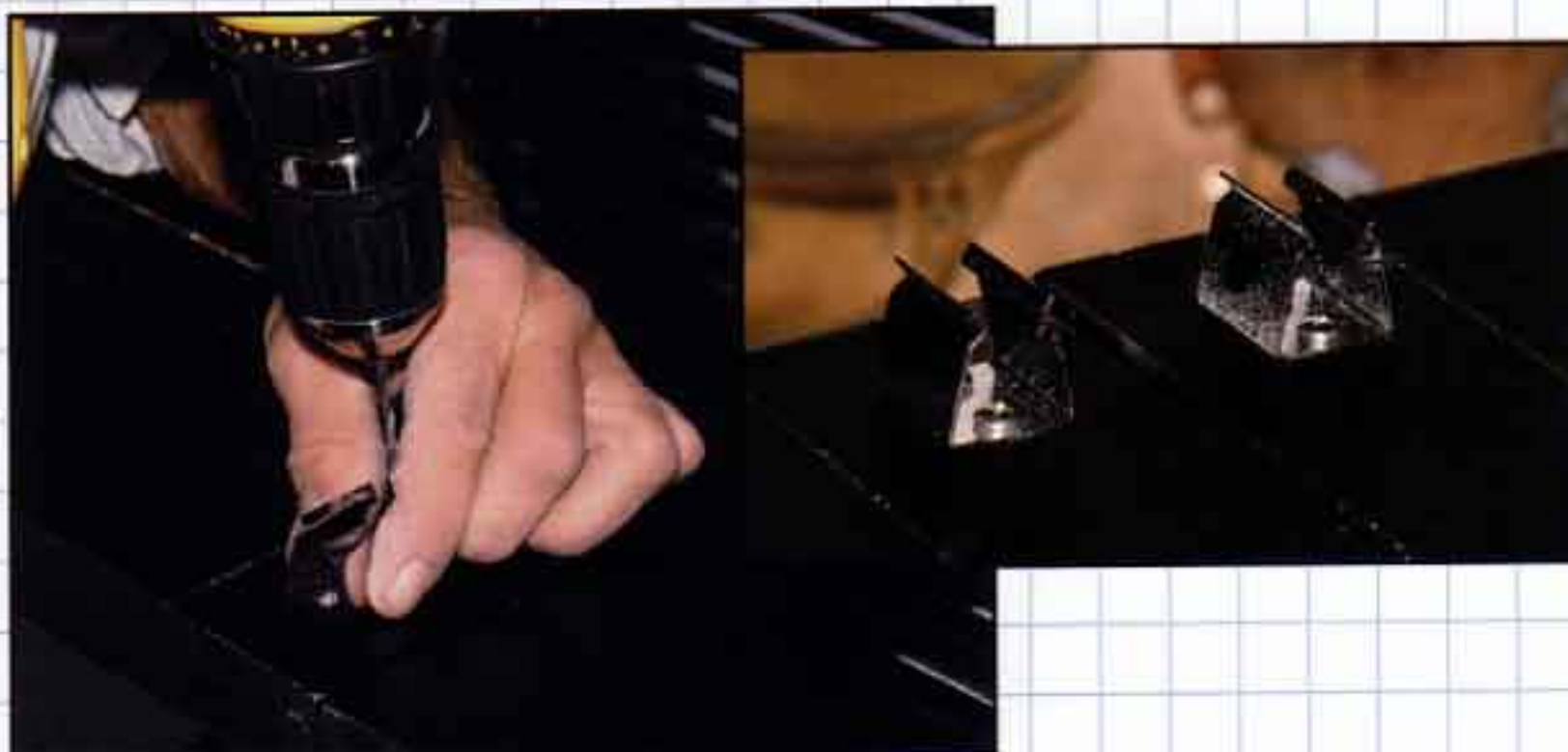
- 1** Pick shutters to fit window & put next to each window on top of saw horses to make sure shutters are paired properly. Lay 2 shutters face down next to each and prepare to install hinges.



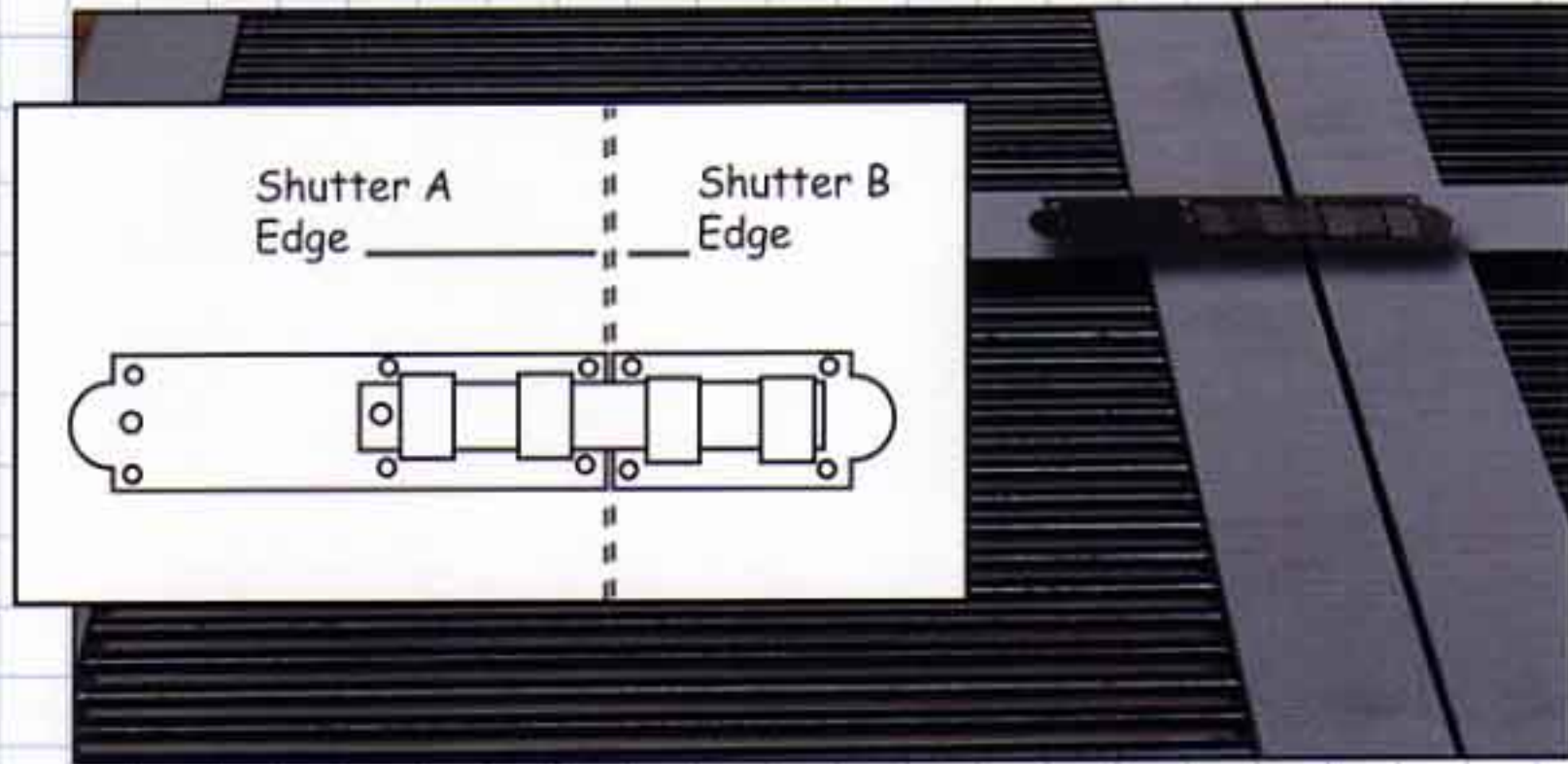
- 2** Install hinges after determining offset. Hinges are to be set at top & bottom even with outside. Drill holes with 1/8th pilot bit. Be careful not to drill all the way through shutter.



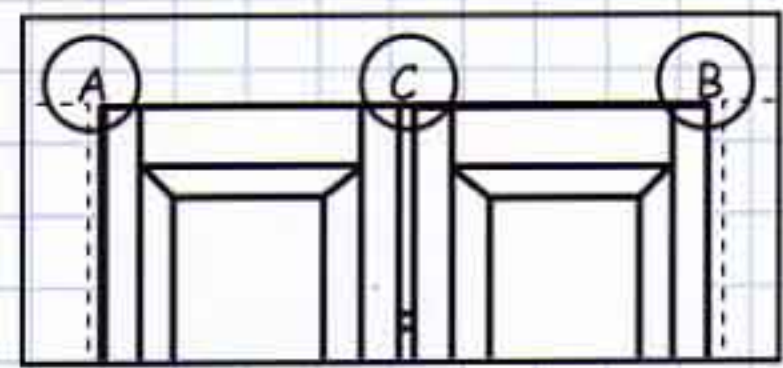
- 3** Position & install upper holdback clips 1" from top & center edge of stile. Shutters over 58" require 2 sets of acorns; install similarly at top.



- 4** Install slide bolt—turn shutters over & line-up slide bolt edge with shutter edge (see diagram above). Pre-drill 1/8 slot hole (careful not to drill all the way through) Install slide bolt with screws. Shutters are now ready for installation.



- 5** Position shutter in opening allowing equal amounts of space between shutter & wall (A & B), and between shutters (C) to allow for smooth operation [see diagram above]. When attaching the pintel to the structure you may have to drill into mortar & brick—use appropriate molly's in mortar & brick.



- 6** Install acorn (anchor). Swing shutter open & mark center of holdback clip & install acorn anchor into brick.



- 7** Install 'S' Holdback\*. Shutter is now held open by acorn anchor. Position shutter dog in correct location & mark for screws & fasten to wall—1 1/2" down from shutter & 1 3/4" from outside edge.

\*The acorn anchor is better suited for holding the shutters in place, and as such, the 'S' Holdback is recommended more for a decorative use as opposed to a functional one.

